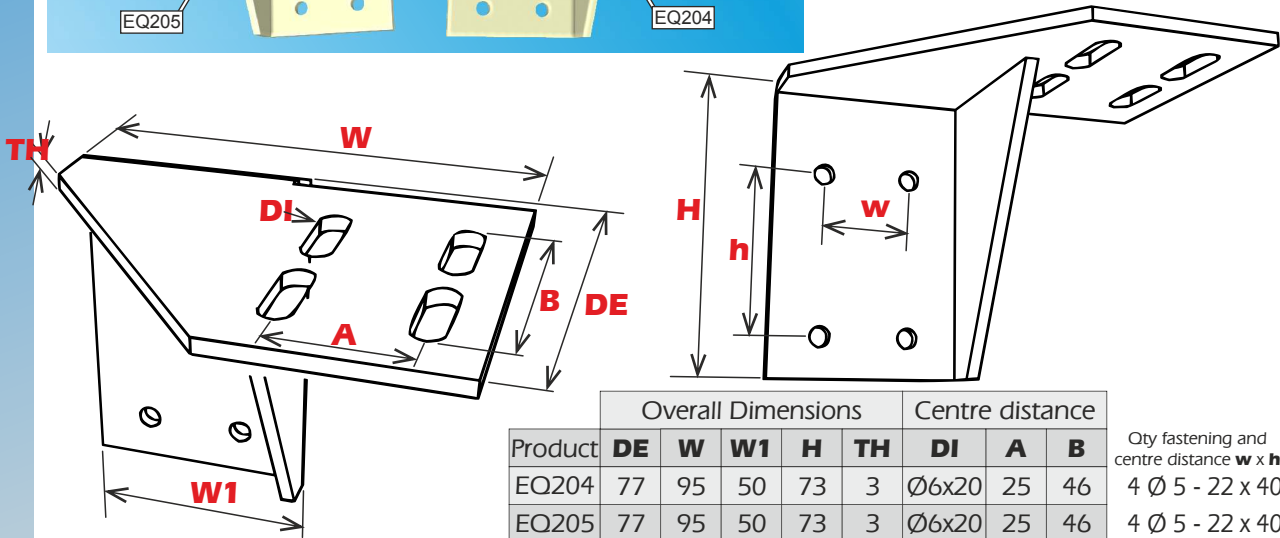
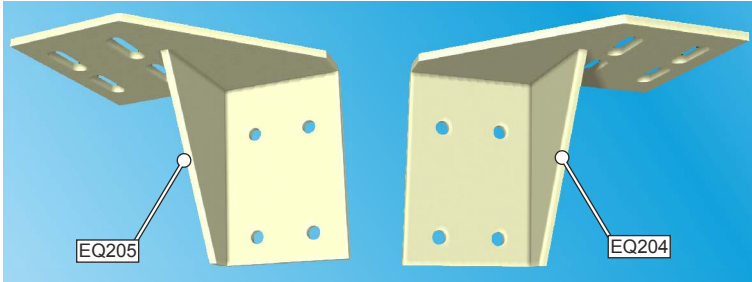


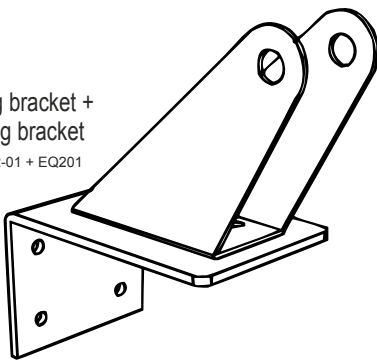
## Offset fastening brackets



## Examples of possible assembly

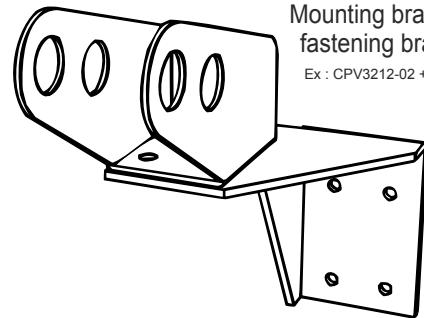
Mounting bracket + fastening bracket

Ex : CPV3212-01 + EQ201



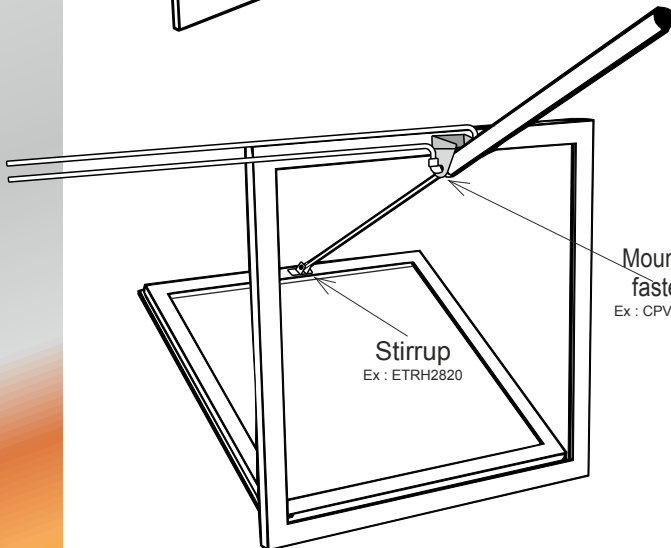
Mounting bracket + fastening bracket

Ex : CPV3212-02 + EQ205

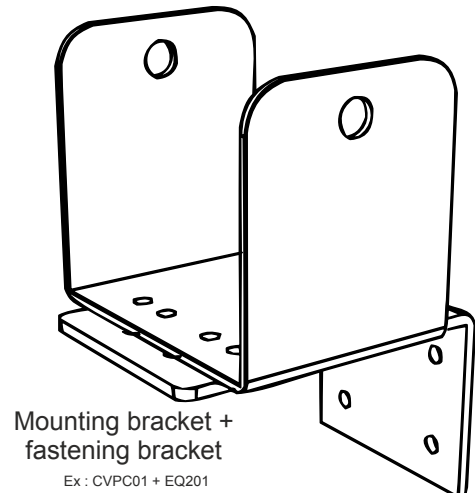


Mounting bracket + fastening bracket

Ex : CPV3212-02 + EQ203



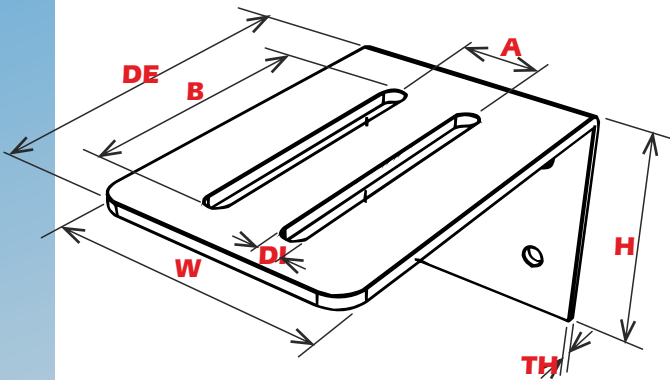
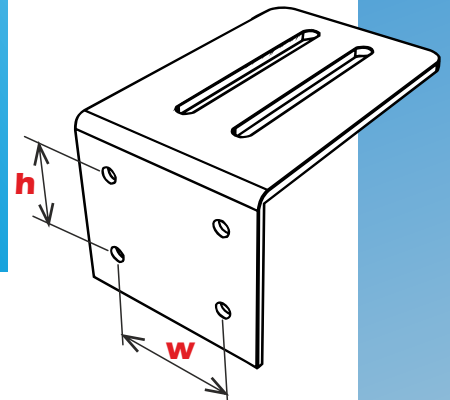
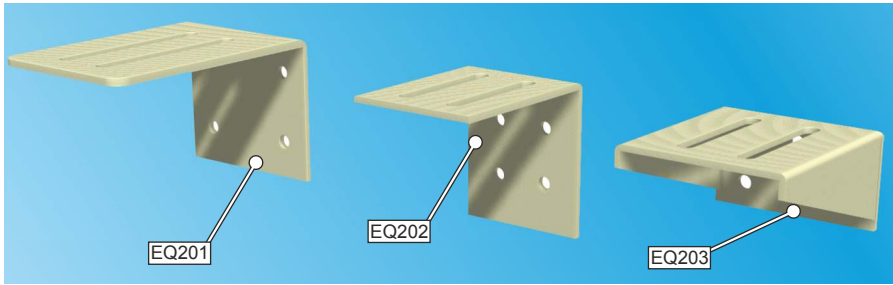
Stirrup  
Ex : ETRH2820



Mounting bracket + fastening bracket

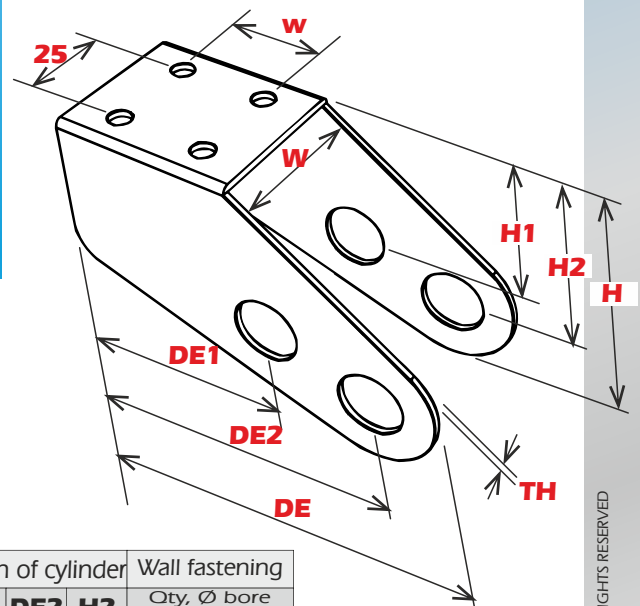
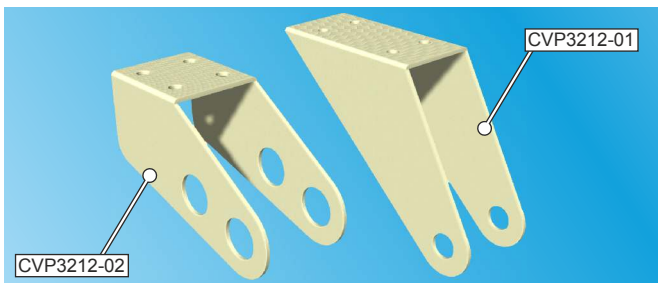
Ex : CVPC01 + EQ201

## Fastening brackets



Product	Overall Dimensions				Centre distance	Usable length	∅ oblong	Wall fastening
	DE	W	H	TH	A	B	DI	Qty, ∅ bore and w x h
EQ201	120	80	70	4	25	83	7	4 ∅ 6.5 - 50 x 35
EQ202	80	60	70	3	25	55	6.5	4 ∅ 6 - 35 x 35
EQ203	80	70	40	2.5	25	50	6.5	4 ∅ 6.5 - 50 x 35

## Mounting brackets



Product	Overall Dimensions				Installation of cylinder				Wall fastening
	DE	W (interior)	H	TH	DE1	H1	DE2	H2	Qty, ∅ bore and w x h
CVP3212-02	108	39	68	3	60	41	90	50	4 ∅ 6.5 - 25 x 25
CVP4012-02	108	47	68	3	60	41	90	50	4 ∅ 6.5 - 25 x 25
CVP5012-02	108	57.5	68	3	60	41	90	50	4 ∅ 6.5 - 25 x 25
CVP3212-01	130	39	96	2	115	81	/	/	4 ∅ 6.5 - 53 x 25
CVP4012-01	130	47	96	2	115	81	/	/	6 ∅ 6.5 - 53 x 25
CVP5012-01	130	57.5	96	2	115	81	/	/	6 ∅ 6.5 - 53 x 25
CVP6312-01	130	70.5	96	2.5	115	81	/	/	9 ∅ 6.5 - 53 x 50

NON CONTRACTUAL DOCUMENT - ALL RIGHTS RESERVED