

LOCK for Mechanical SKYLIGHT WINDOW

Technical File
T 14518 D

VER7010

Description - General Information

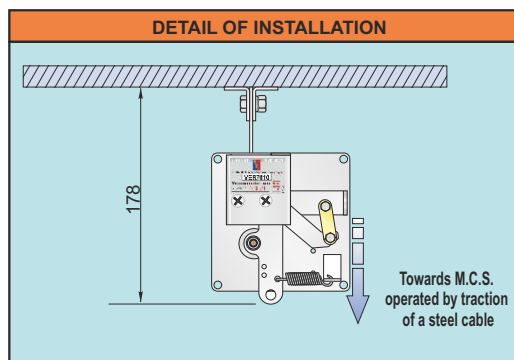
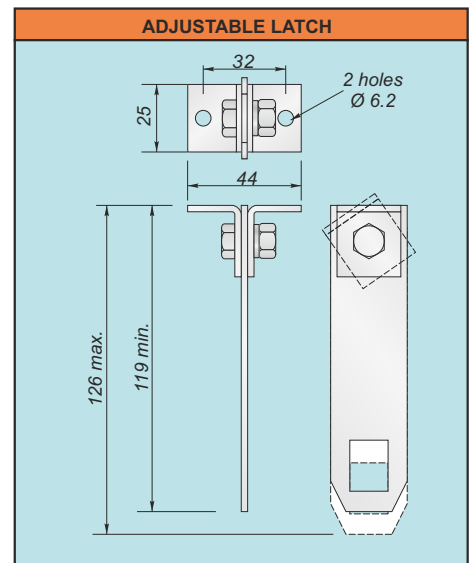
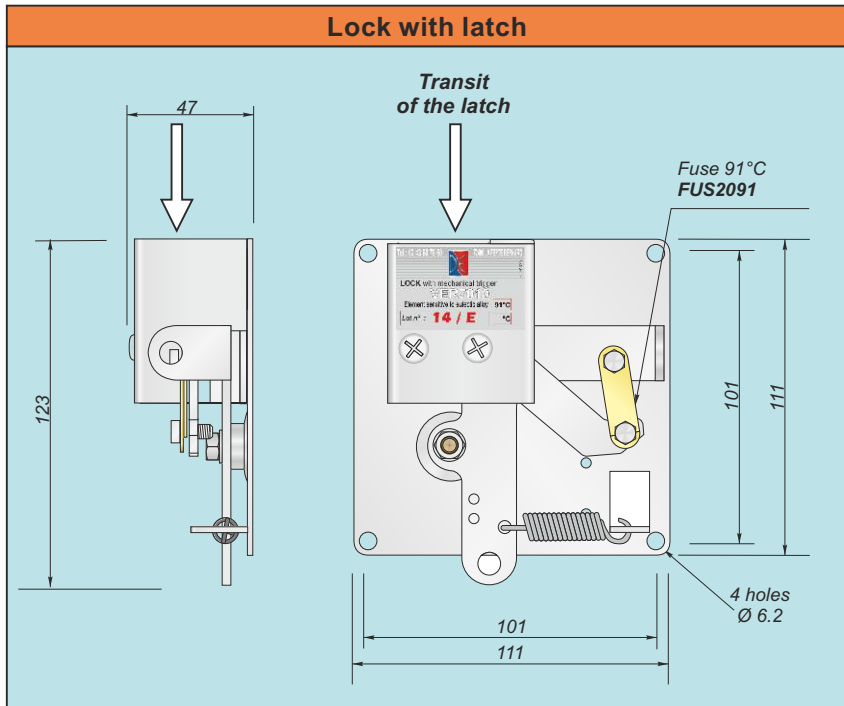
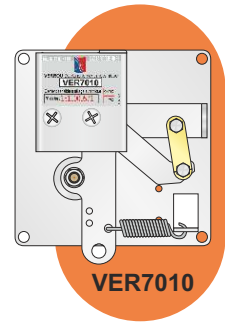
Lock designed to keep a smoke and heat exhaust skylight window (D.E.N.F.C.) closed. Manual control by traction of a steel cable.

It can be installed in tandem on all windows with a width of more than 1200 mm.

Manual closing of the window is required with this lock.

Triggering is carried out either,

- mechanically, by traction of a steel cable
- or - automatically by a thermal trigger.



Technical Characteristics

- Material : Steel.
- Protection : White zinc coating.
- Energy : Manual or automatic (91°C).
- Cable release stroke : from 15 to 22 mm.
- Temperature : -20°C to +50°C.
- Distance control input : By steel cable Ø 3 mm maximum.
- Precautions : Stock and install away from bad weather conditions.

ALL RIGHTS RESERVED. OUR PRODUCTS MAY BE SUBJECT TO MODIFICATION. THEREFORE THIS DOCUMENT CANNOT BE CONSIDERED CONTRACTUAL. ALL MODELS ARE PATENTED. DO NOT LITTER THE PUBLIC HIGHWAY.

DUPUY EQUIPEMENTS

Les Ajeux - 72400 La Ferté Bernard - France
Tel. : +33 (0)2 43 60 78 60 - Fax : +33 (0)2 43 93 41 94
e-mail : clients@de72.fr



www.dupuy-equipements.com

