

# Ventilation WINCH

Technical File  
T 16505 E

## TRA20

### Description - General Information

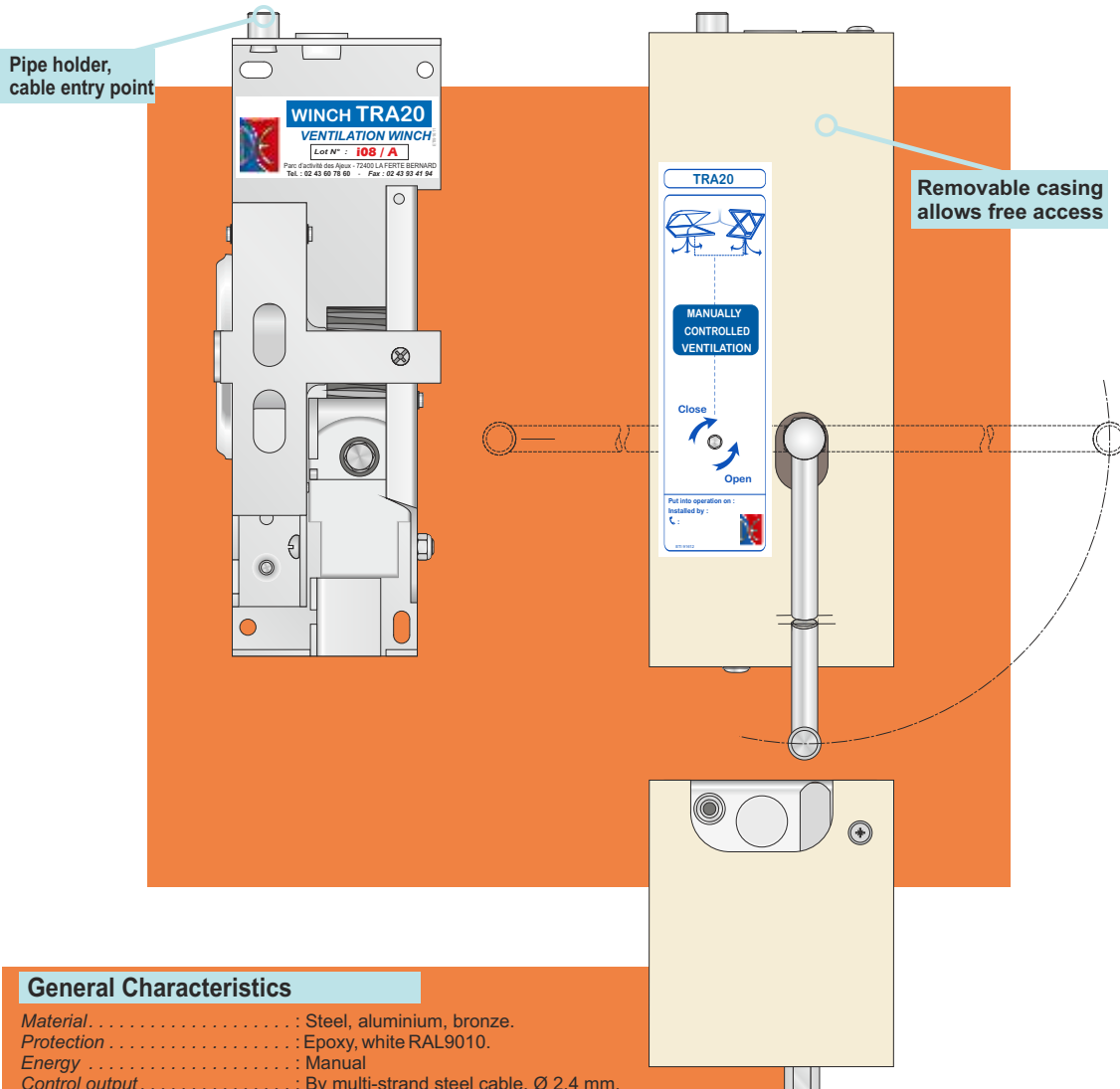
Winch with steel cable release which enables the ventilation function of all appliances, such as facade windows, skylights, roof vents and roof windows, equipped with an intrinsic energy mechanism.

It can open the outlets partially or completely due to the autoblocking function of its mechanism.

Delivered with crank.

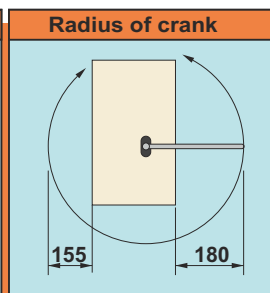
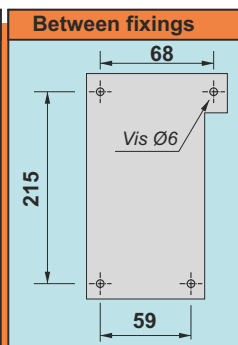
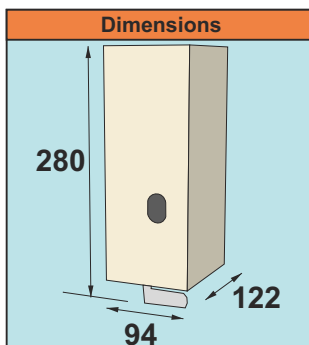


TRA20



### General Characteristics

- Material . . . . . : Steel, aluminium, bronze.
- Protection . . . . . : Epoxy, white RAL9010.
- Energy . . . . . : Manual
- Control output . . . . . : By multi-strand steel cable, Ø 2.4 mm.
- Cable stroke . . . . . : 6 m.
- Traction force . . . . . : 300 daN.
- Precautions . . . . . : Stock and install away from bad weather conditions.



- When carrying out installation tests, check that the tensile stress on the cable does not exceed the maximum value stated for the winch.
- Make sure to tighten both the clamping screws when fixing the steel cable in the spool.

ALL RIGHTS RESERVED. OUR PRODUCTS MAY BE SUBJECT TO MODIFICATION. THEREFORE THIS DOCUMENT CANNOT BE CONSIDERED CONTRACTUAL. ALL MODELS ARE PATENTED. DO NOT LITTER THE PUBLIC HIGHWAY.

## DUPUY EQUIPEMENTS

Les Ajeux - 72400 La Ferté Bernard - France  
Tel. : +33 (0)2 43 60 78 60 - Fax : +33 (0)2 43 93 41 94  
e-mail : clients@de72.fr



[www.dupuy-equipements.com](http://www.dupuy-equipements.com)

