

LOCK for SKYLIGHT WINDOW

Technical File
T 14502 B

Electro-pneumatic, 24 and 48Vcc

VER801024EP - VER801024RP - VER801048EP - VER801048RP

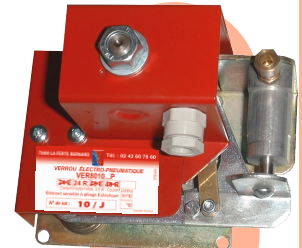
Description - General Information

Lock designed to keep a smoke and heat exhaust outlet (S.H.E.V.) closed. It can be manually or distance controlled.

It can be mounted in tandem on all windows with a width of more than 1200 mm.

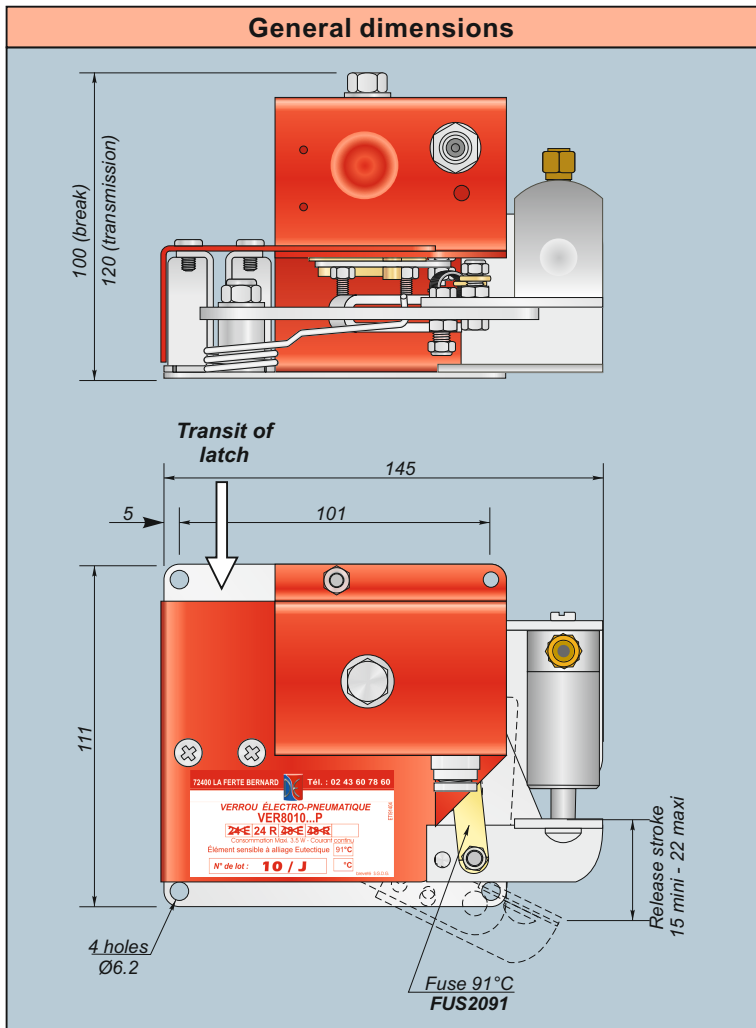
It is triggered either,

- by electric distance control, from an ADA or FSCC
- by pneumatic distance control
- manually by traction of a steel cable
- automatically by fuse break.



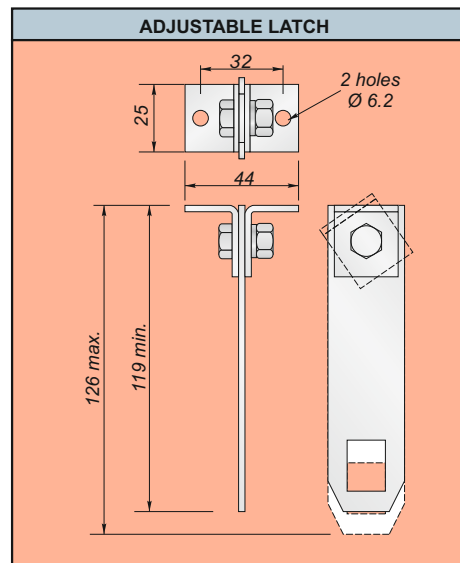
VER8010 ...

General dimensions

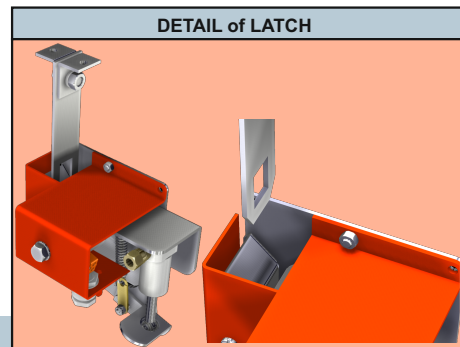


Reference	Voltage (Vcc)	Mode	Consump. (W)	Volume (L)	Pressure(B)
VER801024EP	24	Transm.	1.6	0.01	10
VER801024RP	24	Break	1.0		
VER801048EP	48	Transm.	1.6	0.01	10
VER801048RP	48	Break	1.0		

ADJUSTABLE LATCH



DETAIL of LATCH



Technical Characteristics

- Material : Steel, aluminium, tin.
 Protection : White zinc coating, RAL3000 (cover).
 Energy : 24v or 48v cont. current S.E.L.V. / Manual
 Distance control input : Manual by electric cable or automatic (91°C).
 Release stroke of the cable : from 15 to 22 mm.
 Temperature : -20°C to +50°C.
 Electric distance control input : Rotating electromagnetic trigger by transmission or break in current.
 Operating factor : 100% at an ambient temperature of 20°C ± 5°C.
 Supply voltage (Un) : 24 or 48 volt cont. current S.E.L.V.
 Consumption under (Un) : 1.6 W (24 or 48 Vcc transmission).
 1,0 W (24 or 48 Vcc break)
 Pneumatic distance control input : Micro-cylinder with Ø6 connection. Distance control by applying pressure
 Consumption : 0.1 Normo-litre at atmospheric pressure
 Operating pressure : 10bar / Maximum pressure : 60bar / Test pressure : 90bar
 Precautions : Stock and install away from bad weather conditions.

DUPUY EQUIPEMENTS

Les Ajeux - 72400 La Ferté Bernard - France
 Tel. : +33 (0)2 43 60 78 60 - Fax : +33 (0)2 43 93 41 94
 e-mail : clients@de72.fr



www.dupuy-equipements.com

