

LOCK FOR Swing DOOR

Technical File
T 14505 H

Electric, 24 and 48Vcc

VER809024E - VER809024R - VER809048E - VER809048R

Description - General Information

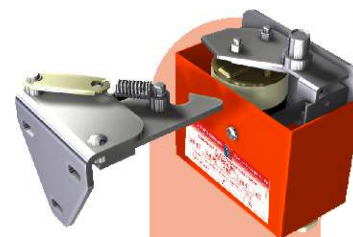
Lock designed to keep a swing door or partition damper open.
Manual resetting after reactivation of the distance control line.

Triggering is carried out by either

- electric distance control, from an ADA or FSCC
- manually by traction on the door,

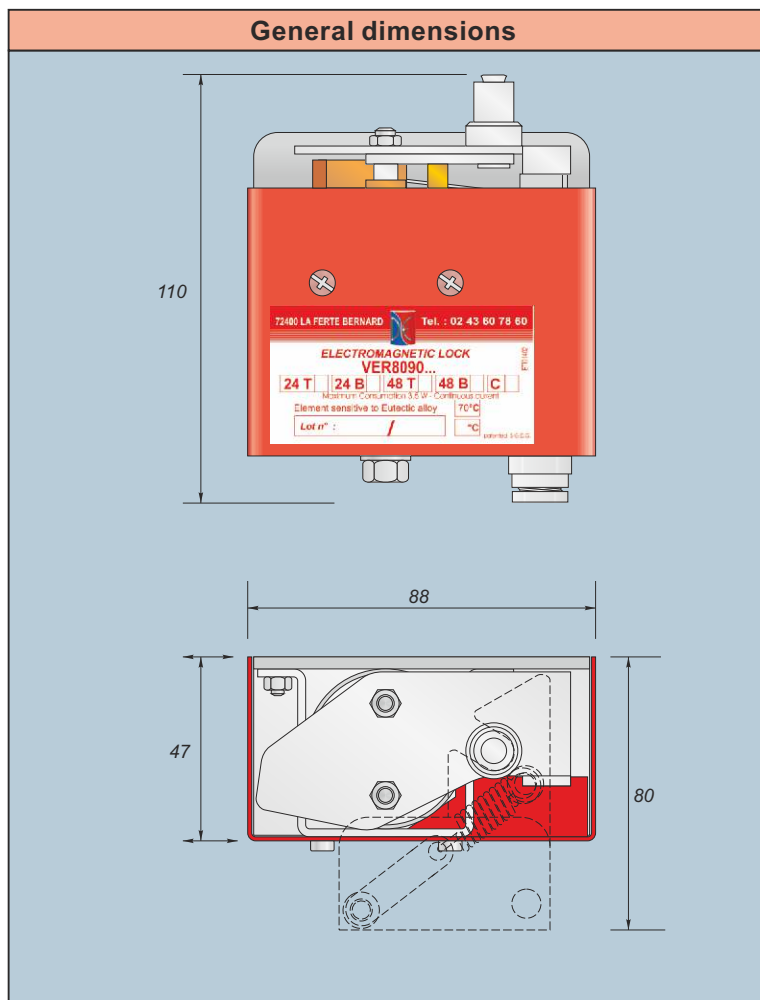
or - automatically by fuse break.

Also available with position contact.



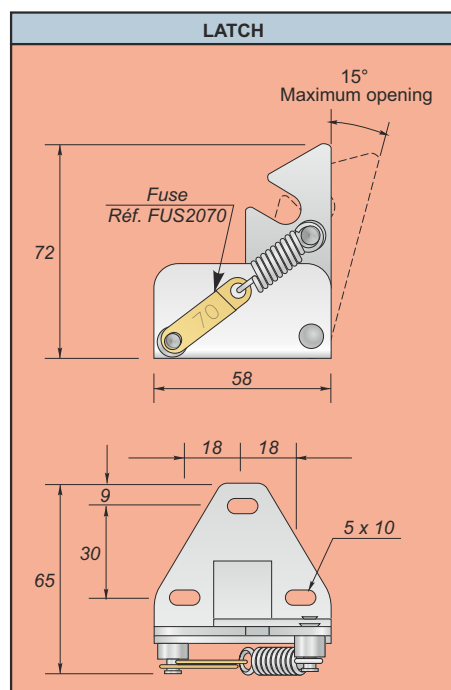
VER8090 . . .

General dimensions



Reference	Voltage (Vcc)	Mode	Consump. (W)
VER809024E	24	Transm.	1.6
VER809024R	24	Break	1.0
VER809048E	48	Transm.	1.6
VER809048R	48	Break	1.0

LATCH



Technical Characteristics

Material : Steel, aluminium, tin.
 Protection : White zinc coating, RAL3000 (cover).
 Energy : 24v or 48v cont. current S.E.L.V. / Manual
 Distance control input : Manual, electric or automatic (70°C).
 Temperature : -20°C to +50°C.
 Electric distance control input : Rotating electromagnetic trigger operated by transmission or break in current.

Operating factor : 100% at an ambient temperature of 20°C ± 5°C.
 Supply voltage (Un) : 24 or 48 volt cont. current S.E.L.V.
 Consumption under (Un) : 1.6 W (24 or 48 Vcc transmission).
 1,0 W (24 or 48 Vcc break)

Options : Dry contact for return to position, fitted inside the lock.

Precautions : Stock and install away from bad weather conditions.

DUPUY EQUIPEMENTS

Les Ajeux - 72400 La Ferté Bernard - France
 Tel. : +33 (0)2 43 60 78 60 - Fax : +33 (0)2 43 93 41 94
 e-mail : clients@de72.fr



www.dupuy-equipements.com

LOCK FOR Swing DOOR

Electric, 24 and 48Vcc

VER809024E - VER809024R - VER809048E - VER809048R

Example of how it works

