

ENCASED PULLEYS

Technical File
T 23040

POU4006A - POU4006C - POU4006D

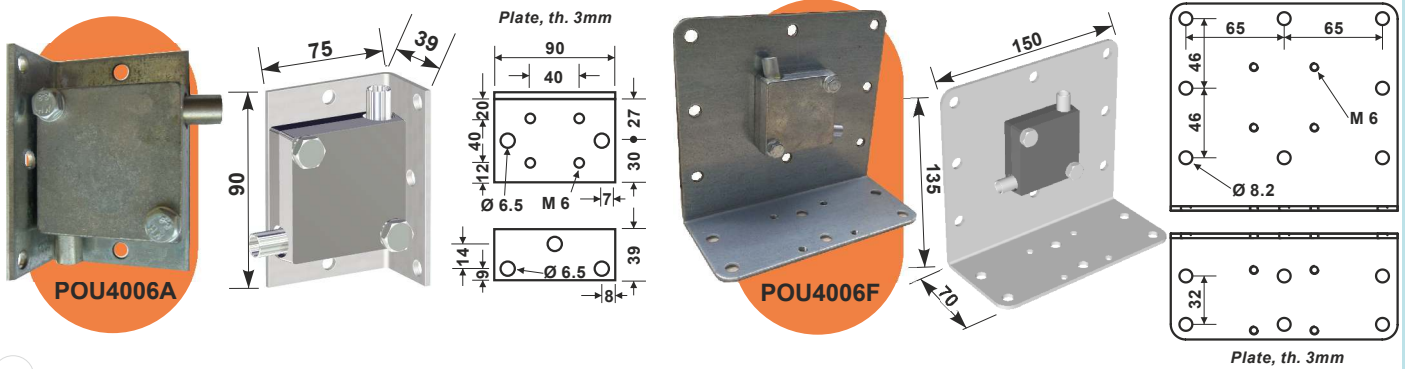
POU4006E - POU4006F - POU4007A

Description - General information

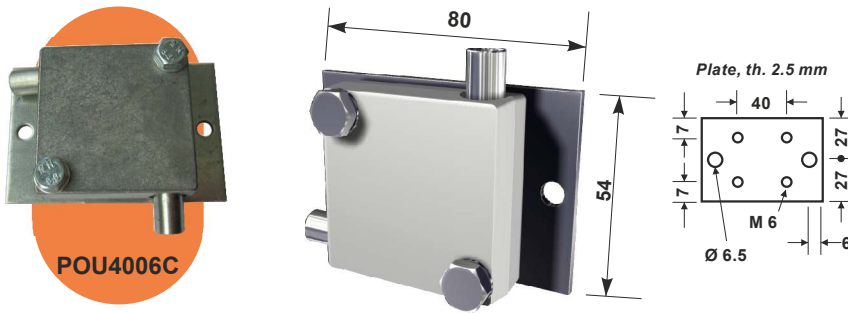
Encased guide pulley, reversible, with swivelling support tube.

Enables a cable to run between a skylight and a control device, such as a winch.

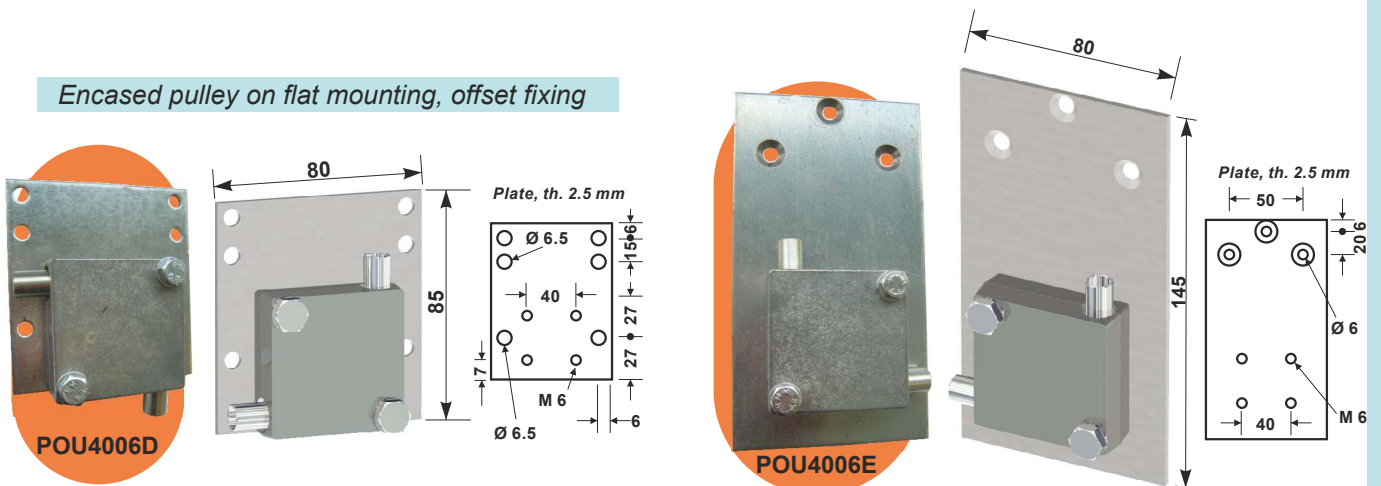
Encased pulley on square mounting



Encased pulley on flat mounting



Encased pulley on flat mounting, offset fixing



Technical Characteristics

- Material : Steel - bronze - zamac.
- Protection : Zinc coating.
- Traction force : Max. 300daN.
- Cable diameter : 3mm maxi.
- Pulley diameter : Exterior Ø40mm, groove base Ø34mm.
- Precautions : Stock and install away from bad weather conditions .

ALL RIGHTS RESERVED. OUR PRODUCTS MAY BE SUBJECT TO MODIFICATION. THEREFORE THIS DOCUMENT CANNOT BE CONSIDERED CONTRACTUAL. ALL MODELS ARE PATENTED. DO NOT LITTER THE PUBLIC HIGHWAY.

DUPUY EQUIPEMENTS

Les Ajeux - 72400 La Ferté Bernard - France
Tel. : +33 (0)2 43 60 78 60 - Fax : +33 (0)2 43 93 41 94
e-mail : clients@de72.fr



www.dupuy-equipements.com

