

# ELECTRIC CYLINDER 24V

Technical File  
T 10003 B

## Direct current, stroke 350 to 750

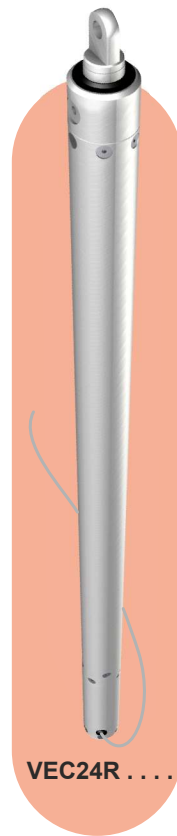
### VEC24R . . . . .

#### Description - General Information

Electric cylinder used to open and/or close skylight openings, facade windows, traps, etc... by means of an electric command. The stopping point of the cylinder is controlled by integrated end of stroke contacts.

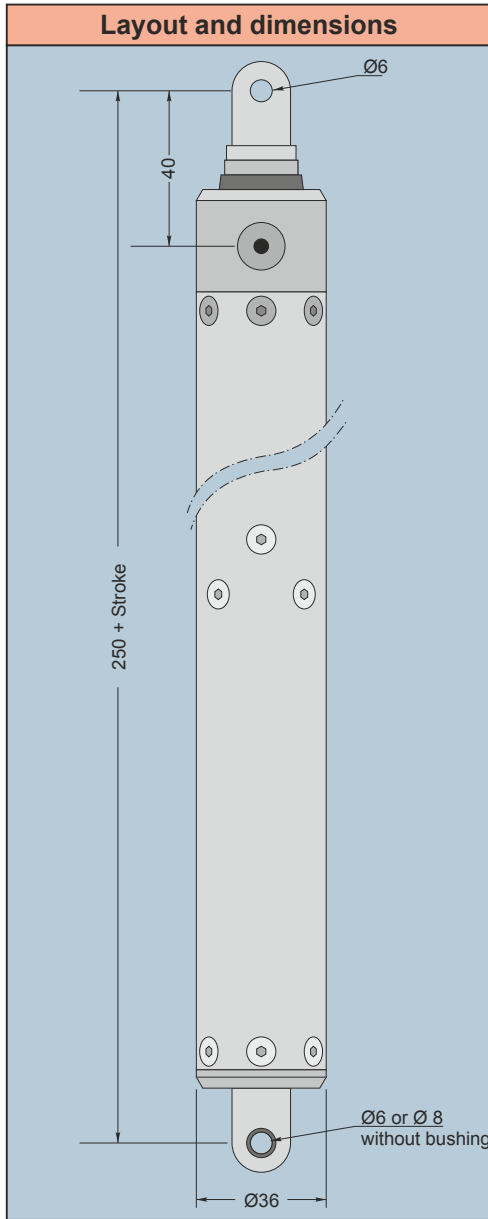
In the case of overload, the cylinder is protected by its electronic circuit breaker.

Supplied with mounting bracket

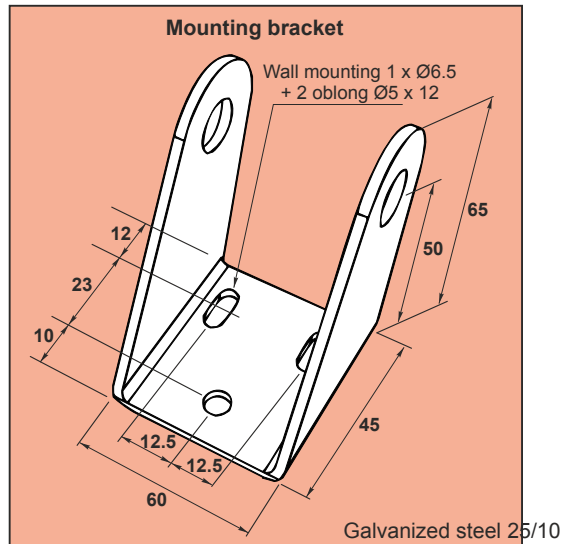


VEC24R . . . .

#### Layout and dimensions

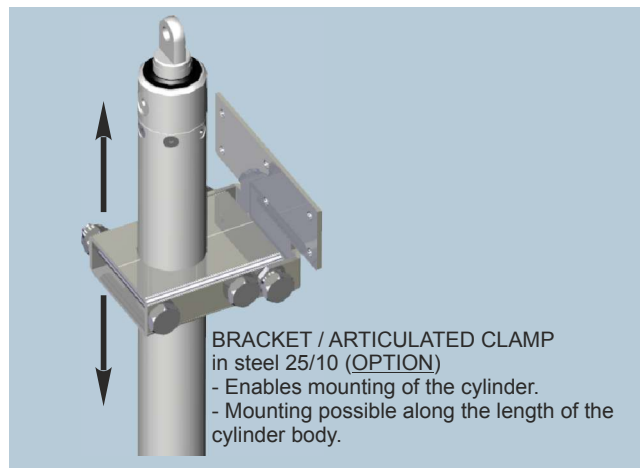


#### Mounting bracket



Reference	Consump. (A)	Force (N)	Stroke (mm)	No-load speed (mm/s)
VEC24R06500350	0.8	650	350	6.1
VEC24R06500550	0.8	650	550	6.1
VEC24R06500750	0.8	650	750	6.1

(other strokes available on request)



#### Technical Characteristics

- Material . . . . . : Synthetic, aluminium and steel.
- Stroke . . . . . : 350, 550 and 750 mm.
- Power supply . . . . . : 24 V direct.
- Connection . . . . . : Section according to model, length 2.50 m.
- Consumption . . . . . : According to model.
- Protection index . . . . . : IP54 according to DIN EN60529.
- Temperature . . . . . : from -20°C to +100°C maximum, normal +60°C.
- Thermal protection . . . . . : Electronic, incorporated in the cylinder.
- Precautions . . . . . : Stock and install away from bad weather conditions.

## DUPUY EQUIPEMENTS

Les Ajeux - 72400 La Ferté Bernard - France  
Tel. : +33 (0)2 43 60 78 60 - Fax : +33 (0)2 43 93 41 94  
e-mail : clients@de72.fr



www.dupuy-equipements.com

